

T-342 Polypropylene Diaphragm Valve

Valves are cleanroom produced, assembled and packaged

All valves come standard with integral lock out device to prevent unauthorized cycling

Valves are 150 psi rated at 68°F and designed for high temperature service

Fully serviceable with replacement diaphragms available



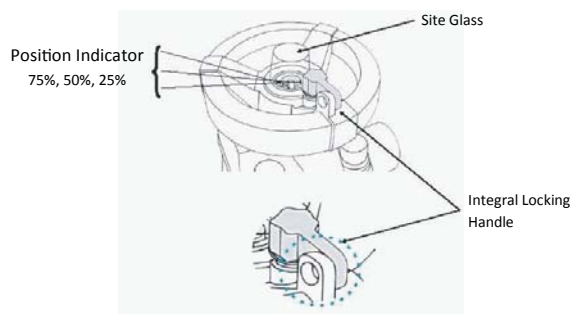
SPECIFICATION

½" through 4" (20mm through 110mm) diaphragm valves shall be Type 342 Style from the PolyPure Natural PP or Proline Pigmented PP Systems. Valves shall be made of virgin, high purity resin. Valve bodies are to be unibody, molded design with a full 150 psi rating at 68°F. All metal nuts and bolts must be capped or covered to reduce metal exposure. Top Works must include integral lock out device on the handle and position indicator.

Complete line of fabricated valves are available. Consult factory for details.

UNIQUE HANDLE DESIGN

Integral Locking Handle can be locked in multiple positions to prevent unauthorized cycling. Locking Handle is spring loaded for easy locking/unlocking. Position indication for 25%, 50% and 75% open positions.



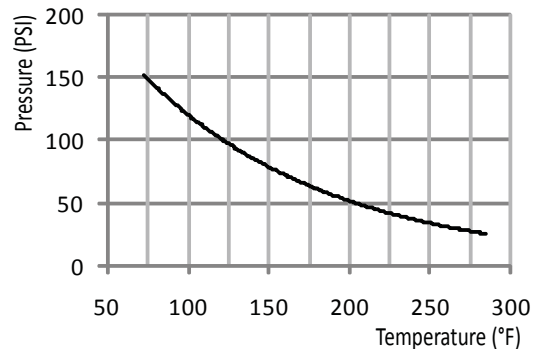
OPTIONS

T-342 Diaphragm Valves can be supplied with a complete line of pneumatic actuation, electric controllers, manual overrides, mechanical limitors & position indicators.

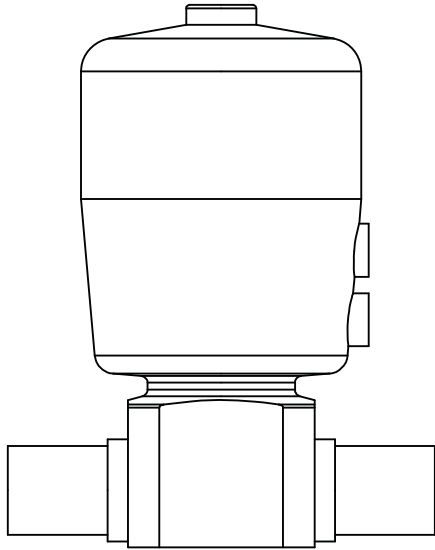
Please consult factory for details.

TECHNICAL SPECIFICATIONS

Body Material: PolyPure PPn or Proline PP
 Bonnet: PPG
 Diaphragm: PTFE backed EPDM or EPDM
 Maximum Pressure: 10 bar @ 20C, 150 psi @ 68 °F

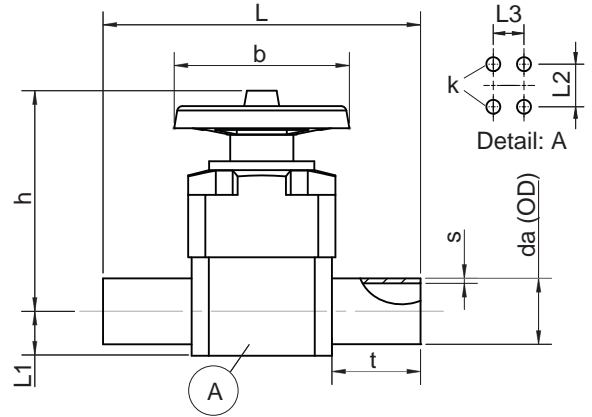


SIZE		Cv at Different Open Position (GPM)			
mm	inch	25%	50%	75%	100%
20	1/2	9.5	15.1	17.8	19.0
25	3/4	12.4	19.6	23.3	24.6
32	1	29.1	46.5	55.5	58.4
40	1-1/4	59.5	94.6	113.1	118.9
50	1-1/2	66.1	105.7	125.5	132.1
63	2	115.7	183.6	219.6	231.2
75	2-1/2	143.5	247.0	286.7	318.4
90	3	196.6	279.0	323.4	359.3
110	4	445.2	739.8	881.1	990.8



SPIGOT DIMENSIONS

SIZE	s	L	L1	L2	L3	h	b	t	k
20	1/2	0.098	5.24	0.65	0.96	0	3.94	3.35	1.42 M6
25	3/4	0.106	5.67	0.65	0.96	0	3.94	3.35	1.42 M6
32	1	0.114	6.06	0.81	0.96	0	4.21	3.35	1.42 M6
40	1-1/4	0.146	7.60	1.00	1.73	0	5.67	5.31	1.81 M8
50	1-1/2	0.181	7.64	1.26	1.73	0	5.67	5.31	1.81 M8
63	2	0.228	8.82	1.52	1.73	0	6.69	5.31	2.13 M8



CONFORMANCE

Polypropylene: FDA CFR 21 177.1520
 USP Class VI
 UL 94 HB

EPDM Diaphragm: FDA Approved

PTFE Diaphragm: FDA Approved
 USP Class VI

PART NUMBERS

SIZE	PolyPure PPn		Proline PP		
	EPDM	PTFE	EPDM	PTFE	
20	1/2	6352005	6351005	1174005	1403005
25	3/4	6352007	6351007	1174007	1403007
32	1	6352010	6351010	1174010	1403010
40	1-1/4	6352012	6351012	1174012	1403012
50	1-1/2	6352015	6351015	1174015	1403015
63	2	6352020	6351020	1174020	1403020



POLYPURE

PolyPure Natural Polypropylene Systems provide excellent high purity performance and cost effective installation. PolyPure Systems are specified and installed with confidence for a variety of high purity applications including USP Purified Water, Institutional Laboratory, Deionized Water and RO Water Systems.

PolyPure Systems offer a wide selection of pipe, fittings and valves for your high purity processing requirements.

Pipe & Fittings

- IR / Contact Butt Fusion: 1/2" - 4" (20mm - 110mm) SDR 11, 150 psi
- Socket Fusion: 1/2" - 3" (20mm - 90mm) SDR11, 150 psi
- Wide variety of sanitary and specialty fittings
- Consistent pressure rating across all size ranges

