



HAYWARD®

Butterfly Valves

PoolMaster™ Series 2" to 8" Butterfly Valves

Body & Disc PVC, Liner EPDM



Overview

Economical and reliable Hayward PoolMaster™ Series Butterfly Valves are manufactured from compounds of nonconductive PVC and are immune to electrolytic and galvanic corrosion. Ideal for commercial swimming pools, aquariums, water parks, water treatment, irrigation, and many other applications, the valves contain no byproducts that can leach out and contaminate water and other sensitive fluids.

A Better Butterfly Valve

Hayward 2" through 8" all-plastic PoolMaster Butterfly Valves are rated at a full 150 PSI @ 73°F.

Unlike other plastic butterfly valves, Hayward valves are constructed from a one piece body that incorporates fully supported flanged bolt holes to prevent stressing of the mating pipe flanges. Their heavy duty construction stands up to the most demanding applications. The solid integral mounting pad ensures that the valve operator will function reliably—whichever operator is used, lever handle, gear box or actuator.

Extra Features, No Extra Cost

Hayward Butterfly Valves feature a blowout-proof 316 stainless steel shaft and a full body liner that has a notched retention design. This assures positive sealing of the liner to the valve body. An integrally molded face seal provides positive sealing against the mating flange without the need for additional gaskets. The lever handle has a built-in lockout feature and every Hayward valve is ready for actuation.

Better Sealing

Other plastic butterfly valves have only a thin o-ring on the disc to seal the valve, but Hayward valves feature a full body liner seal. This means that the process media never contacts the valve body. And you can count on the full liner seal to perform reliably, year after year.

No Metal, No Corrosion

These valves have no metal in contact with the process media. They cannot corrode or rust—nor will they contaminate sensitive fluids flowing through them.

Features

- Rated at 150 PSI @ 73°F
- 316 Stainless Steel Shaft
- Fully Supported Bolt Holes with ANSI Bolt Pattern
- Blowout-Proof Shaft
- Wafer Body Design
- ISO 5211 Mounting Pad
- Actuator Ready

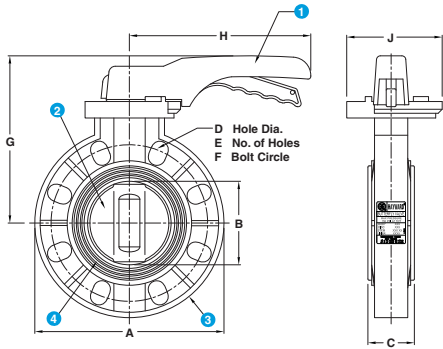
Options

- Gear Operators
- Electric Actuators
- Pneumatic Actuators
- Actuator Mounts
- Stem Extensions

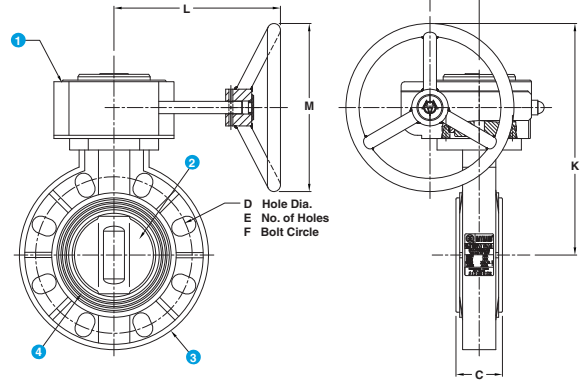


Technical Information

Lever Hand Operator



Gear Box Operator



Parts List Butterfly Valves

1. Operator
(Lever or Gear box)
2. Disc
3. Body
4. Liner

Dimensions – Inches / Millimeters

Size	A	B	C	D	E	F	G	H	J	K	L	M	N
2"	6.30 160	2.13 54	1.75 45	.75 19	4	4.75 121	6.37 162	8.66 220	4.26 109	9.52 242	9.69 246	8.00 203	2.36 60
2-1/2"	7.08 180	2.64 67	1.89 48	.75 19	4	5.50 140	6.73 171	8.66 220	4.26 109	9.88 251	9.69 246	8.00 203	2.36 60
3"	7.70 196	3.27 83	2.09 53	.75 19	4	6.00 152	7.44 189	9.80 249	8.43 332	10.59 269	9.69 246	8.00 203	2.36 60
4"	9.06 230	3.98 101	2.24 57	.75 19	8	7.50 191	7.95 202	9.80 249	4.26 109	11.10 282	9.69 246	8.00 203	2.36 60
5"	10.00 254	5.00 127	2.68 68	.88 22	8	8.50 216	9.96 253	12.60 320	5.84 149	12.34 313	9.69 246	8.00 203	2.36 60
6"	11.19 284	5.98 152	2.87 73	.88 22	8	9.50 241	10.48 266	12.60 320	5.84 149	12.86 327	9.69 246	8.00 203	2.36 60
8"	13.54 344	7.88 200	3.62 92	.88 22	8	11.75 299	12.17 309	12.60 320	5.84 149	14.55 370	9.69 246	8.00 203	2.36 60

Cv versus Disc Position

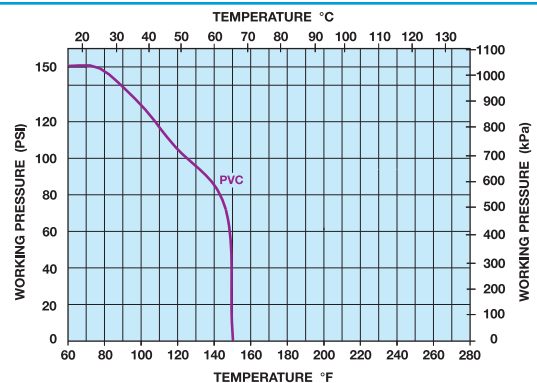
Size	Cv Values					
2"	1	6	24	32	84	120
2-1/2"	3	13	50	108	175	250
3"	4	15	60	129	210	300
4"	7	24	94	202	329	470
5"	13	42	166	357	581	830
6"	18	55	220	473	770	1100
8"	90	125	500	1075	1750	2500
Disc Angle	15°	30°	45°	60°	75°	Full Open

Pressure Loss Calculation Formula

$$\Delta P = \left[\frac{Q}{Cv} \right]^2$$

ΔP = Pressure Drop
Q = Flow in GPM
Cv = Flow Coefficient

Operating Temperature/Pressure



Selection Chart

Size	Body Material	Disc Material	Shaft Material	Liner	Operator	Pressure Rating
2"	Gray PVC	Gray PVC	316 Stainless Steel	EPDM	Lever or Gear Box	150 PSI @ 73°F
2-1/2"						
3"						
4"						
5"						
6"						
8"						100 PSI @ 73°F